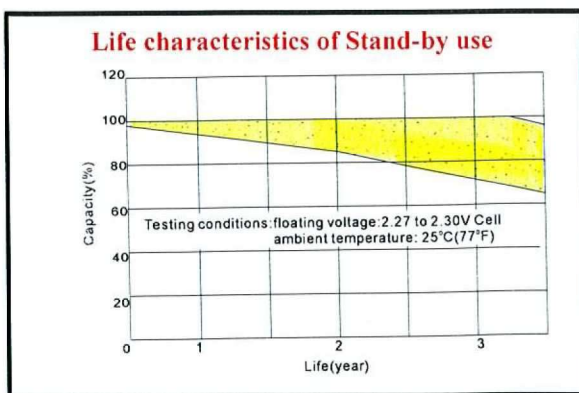
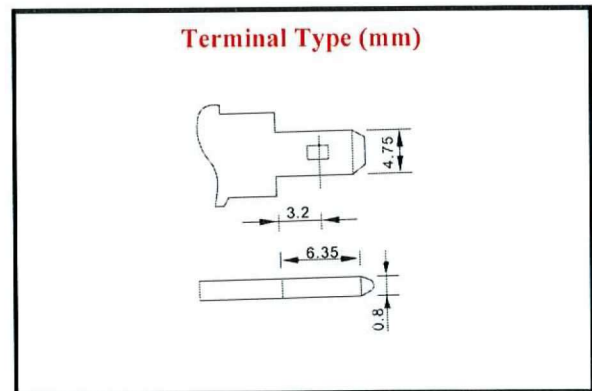
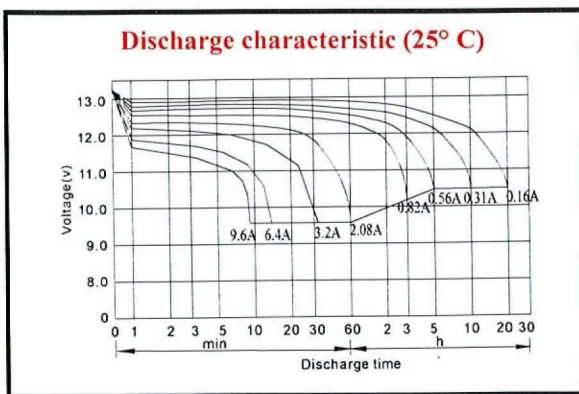
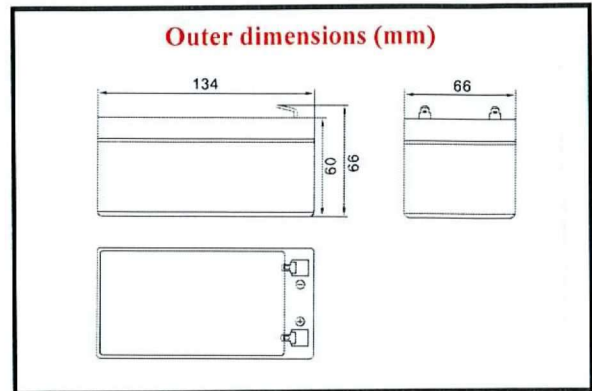
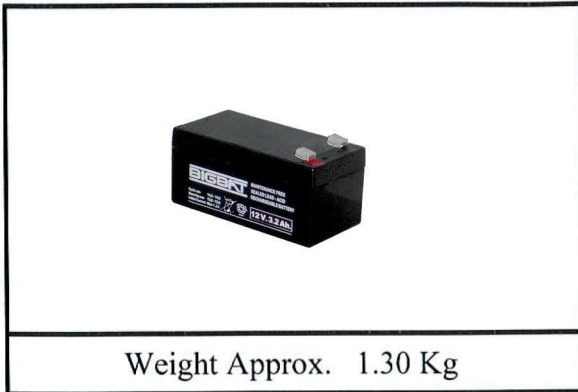


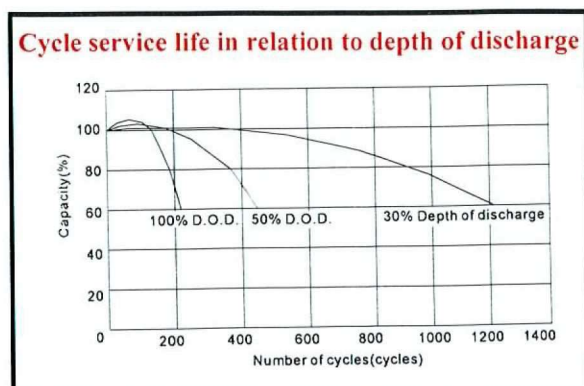
BIGBAT

12V. 3.2 Ah.



Characteristics

Capacity 25° C (77° F)	20 hour rate (0.16 A) 10 hour rate (0.31 A) 5 hour rate (0.56 A) 1 hour rate (2.08 A)	3.20 AH 3.10 AH 2.80 AH 2.08 AH
	1.5 hour discharge to 10.5V	1.28 A
Internal Resistance	Full charged battery at 25° C (77° F)	50 m Ω
Capacity effected by temperature (20 hour rate)	40° C (104° F) 25° C (77° F) 0° C (32° F) -15° C (5° F)	102 % 100 % 85 % 65 %
Self-discharge at 25° C (77° F)	Capacity after 3 month storage Capacity after 6 month storage Capacity after 12 month storage	91 % 82 % 64 %
Charge (constant voltage)	Cycle	Initial charging current less than 1.0 A Voltage 14.50 – 14.90V.
	Float	Voltage 13.60 – 13.80V.



"Merce non prodotta in UE" - Goods are not produced in UE"